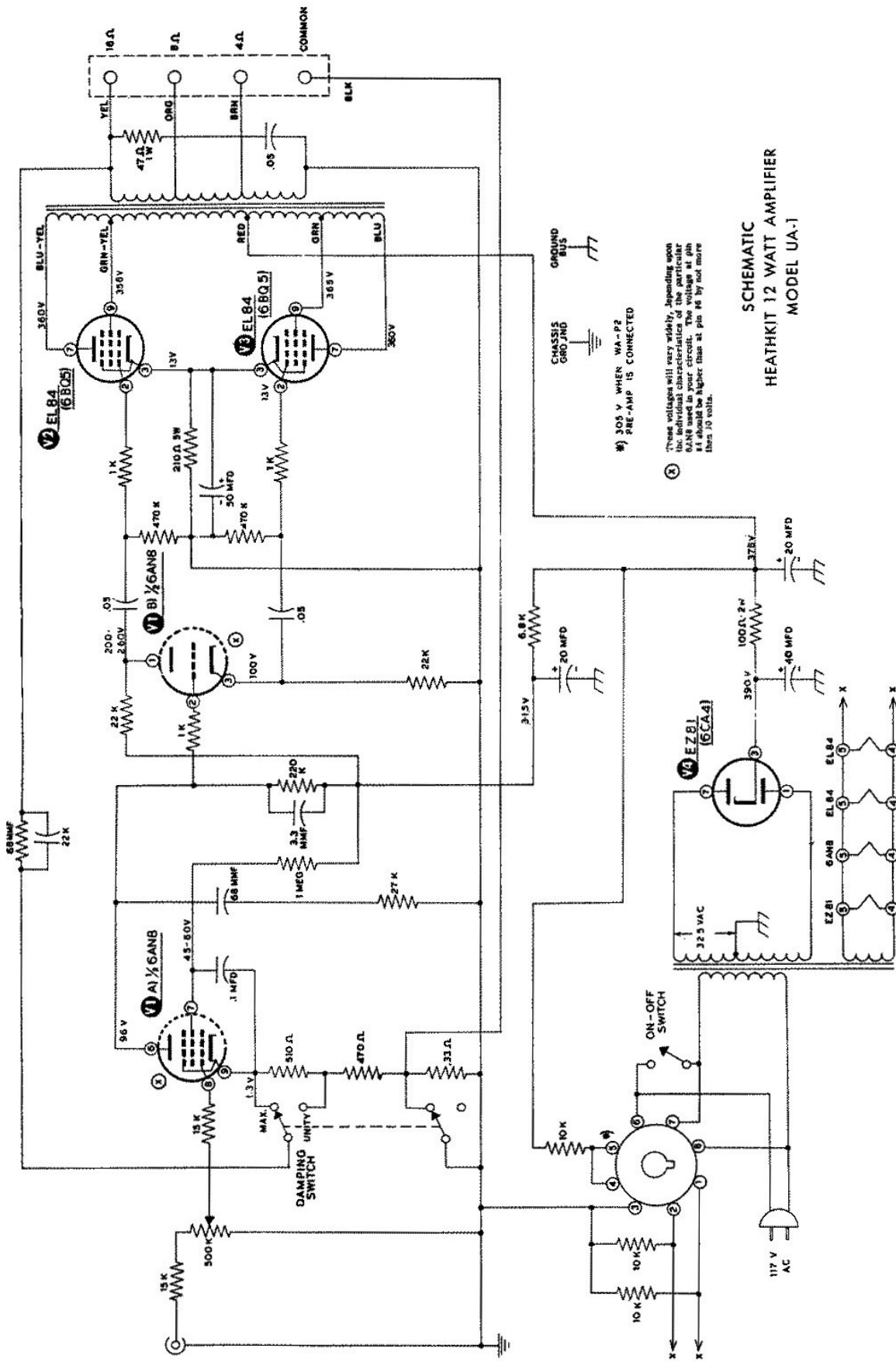


HEATHKIT UA-1



*) 305 V. WHEN WA-P2 PRE-AMP IS CONNECTED

(X) These voltages will vary slightly, depending upon the individual characteristics of the particular 6AV6 used in your circuit. The voltage at pin #1 should be higher than at pin #6 by not more than 10 volts.

SCHEMATIC
HEATHKIT 12 WATT AMPLIFIER
MODEL UA-1